



harisun™

MANUFACTURER OF UPVC PROFILES



novoplast™

MANUFACTURER OF UPVC PROFILES

UPVC WINDOWS &
DOORS PROFILES

STYLISH & RELIABILITY



Less
Maintenance



Noise
Proof



Climate
Proof



Superior
Quality



Easy
Clean

WHO WE ARE?

Manufacture with perfect blend of quality, technology, design and keeping in mind the comfort,   uPVC windows and doors are the perfectly fit for the home or office, giving you a strong, stylish & premium finish.

PARAMETERS

Profile Wall Thickness

2.0 - 2.5 mm

Stronger profiles, Better geometry & shape.

Gradient Drainage

Yes

Easy & Smooth drain out.
No water accumulating in the profile.

Wind Load

3000 Pa

Suitable for both taller and wider apertures.
Structurally sound.

Profile Shape

Multi Chambered

Large Multi Chambers including sliders allows to perfect thermal and acoustic insulation.
In time needed it can accommodates larger reinforcement to resist higher wind loads.



Suitable for
Tropical Climate

Yes

Rich dosage of Tio2 successfully performing installations in severe/harsh climate conditions.

Hardware

Best in Class

Superior Quality. Fits inside Euro Groove.
Safety Ensured.

Reinforcement Thickness

1.2 - 2.5 mm

Provides strength No Rattling. No Whistling.

Maintenance

Low

Easy to clean. Against termites and other corrosion.

Delivery Schedule

Very Quick

Faster Delivery.

Service Reliability

Local Support

Quick attendance to any service issues.
Dedicated customer support team.

Technical Support

Internationally

Bringing world class experience to India.

Easy clean hinge
mechanism

Yes

Easy Maintenance of casement windows.

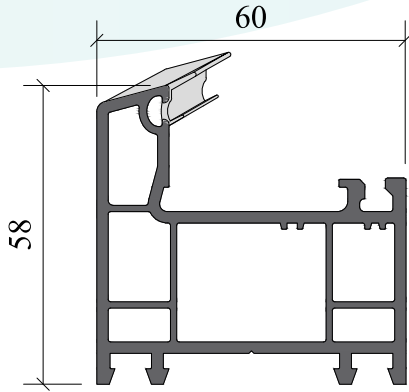
Max Glass Thickness

Single - 4mm to 12mm
Double - upto 24mm

Noise resistance upto 20 to 40db. (70% to 90%
noise reduction possible with double glazing
with proper selection of glass)

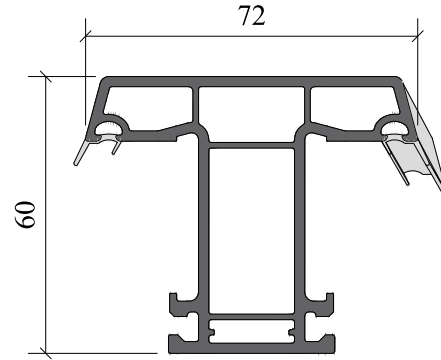
TECHNICAL INFORMATION

Length of all the profiles : **5.8 mtrs**



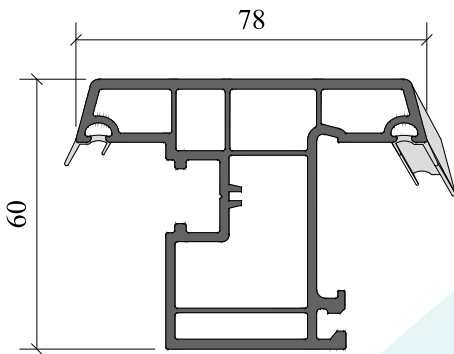
CASEMENT FRAME

ALB-C01
1.034kg/m
6pcs



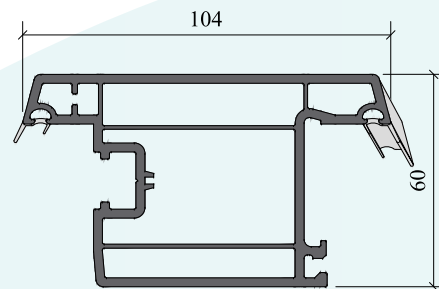
MULLION

ALB-C02
1.067kg/m
6pcs



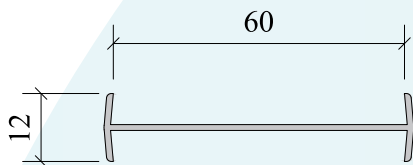
CASEMENT WINDOW SASH

ALB-C03
1.217kg/m
6pcs



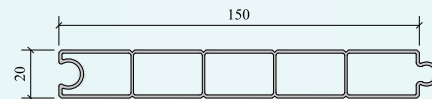
CASEMENT DOOR SASH

ALB-C04
1.597kg/m
4pcs



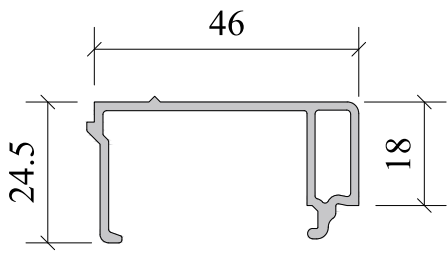
ADAPTOR

ALB-C05
0.2kg/m
20pcs



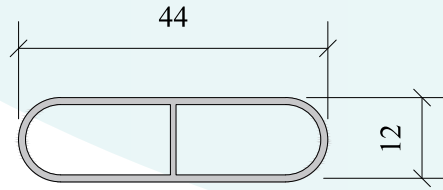
DOOR PANEL

ALB-C06
0.77kg/m
6pcs



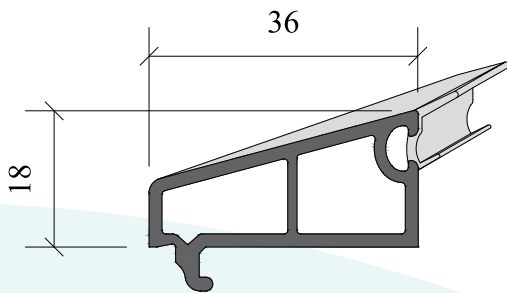
**LOUVER
BEAD(1.5mm)**

ALB-C07
0.28kg/m
20pcs



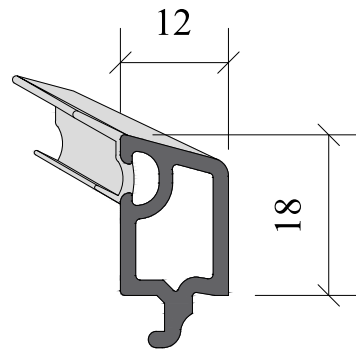
**LOUVER
SASH(1.5mm)**

ALB-C08
0.22kg/m
20pcs



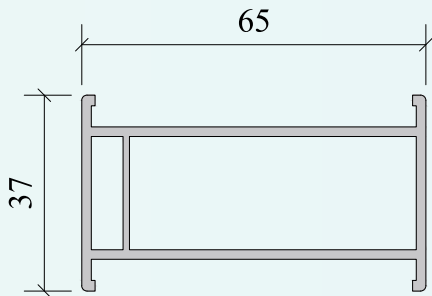
**OPEN
BEAD**

ALB-C22
0.314kg/m
20pcs



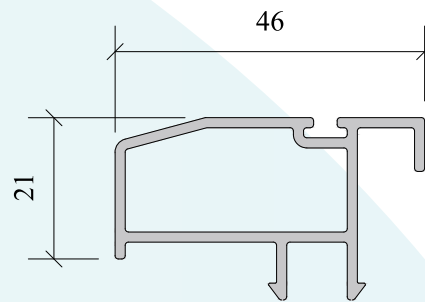
**OPEN
BEAD(12mm)**

ALB-C24
0.204kg/m
20pcs



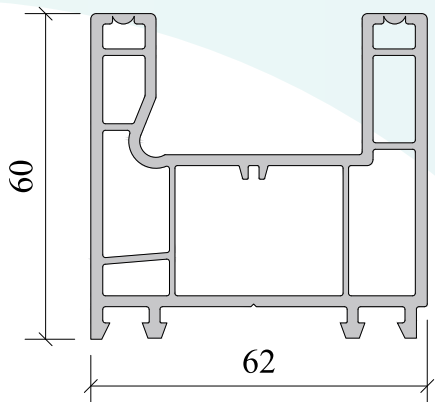
VENTILATOR

ALB-C25
0.64kg/m
8pcs



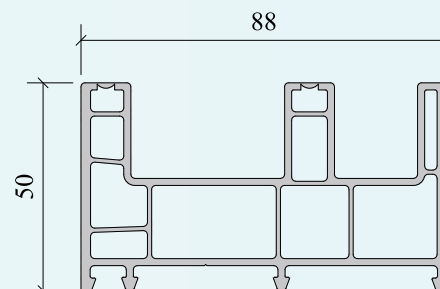
**DOOR
INTERLOCK**

ALB-C30
0.353kg/m
20pcs



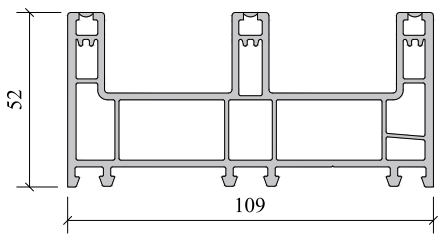
**SLIDING
FRAME**

ALB-S09
1.02kg/m
6pcs



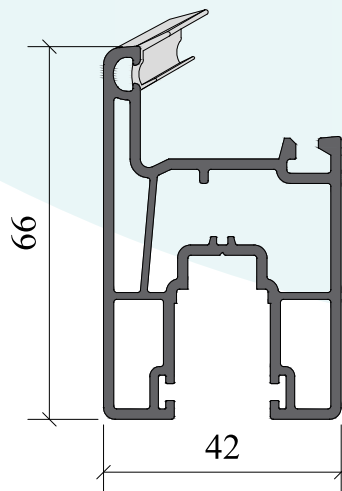
**SLIDING
FRAME 88**

ALB-S10
1.27kg/m
6pcs



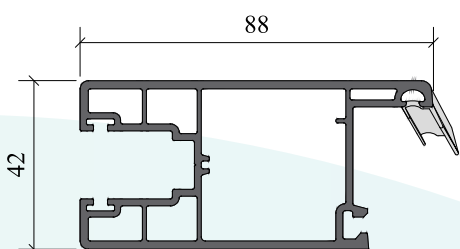
**SLIDING
FRAME
3 TRACK**

ALB-S11
1.72kg/m
4pcs



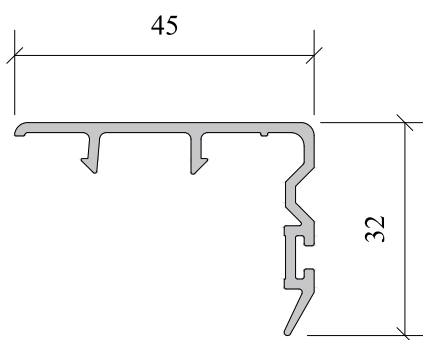
**SLIDING
SASH(1.6mm)**

ALB-S13
0.924kg/m
8pcs



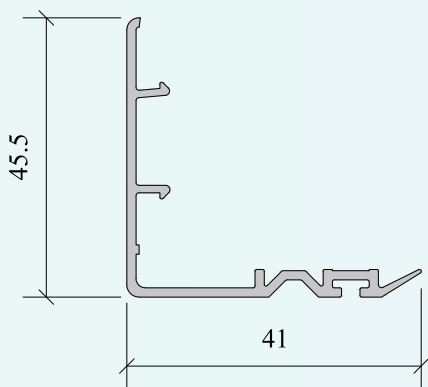
**SLIDING
SASH(BIG)**

ALB-S14
1.194kg/m
4pcs



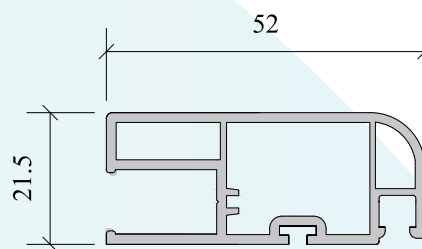
INTERLOCK

ALB-S15
0.27kg/m
20pcs



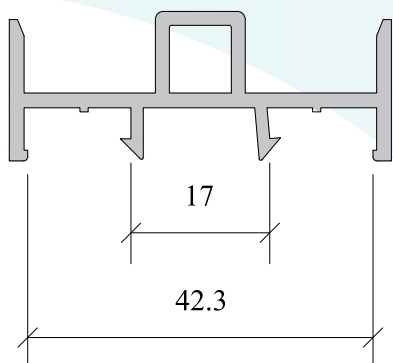
**88
INTERLOCK**

ALB-S16
0.32kg/m
20pcs



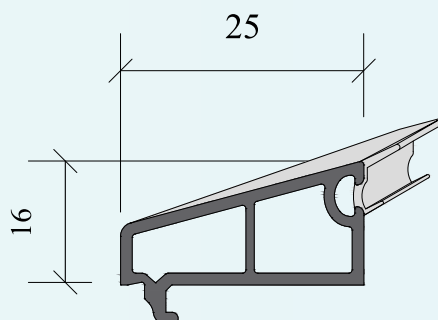
**SCREEN
SASH**

ALB-S17
0.44kg/m
16pcs



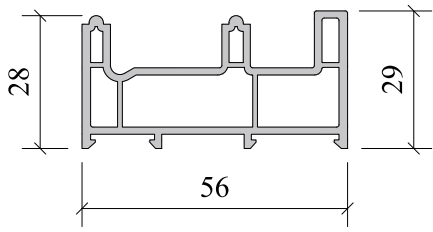
**SASH
JOINED**

ALB-S18
0.34kg/m
10pcs



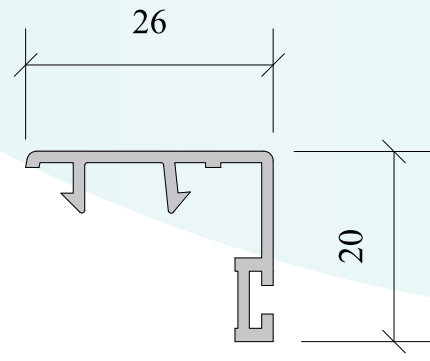
**SLIDING
BEAD**

ALB-S23
0.244kg/m
30pcs



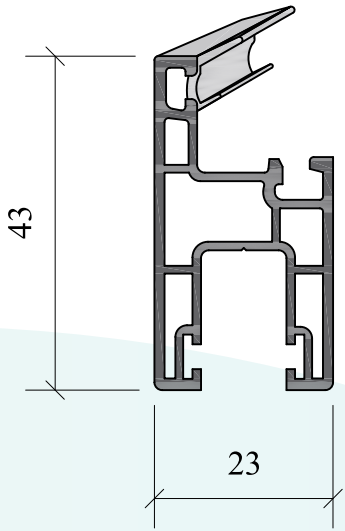
58 FRAME

ALB-S26
0.65kg/m
6pcs



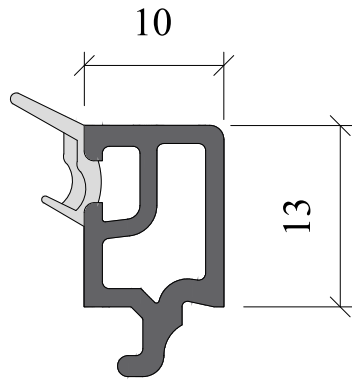
58 INTERLOCK

ALB-S28
0.15kg/m
20pcs



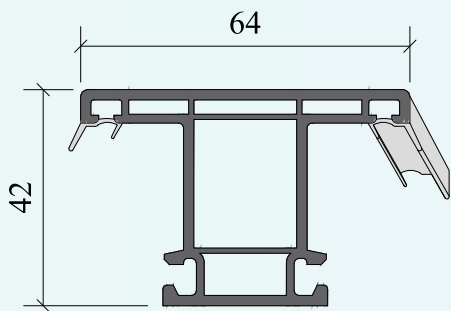
58 SASH

ALB-S27
0.45kg/m
12pcs



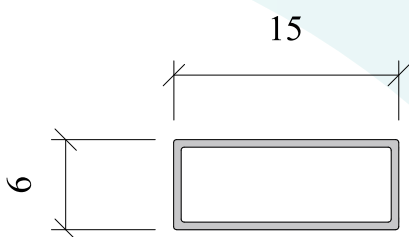
58 BEAD

ALB-S29
0.15kg/m
40pcs



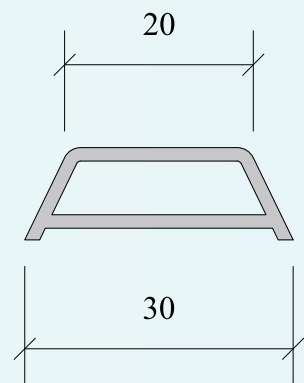
MULLION SASH

ALB-S31
0.787kg/m
8pcs



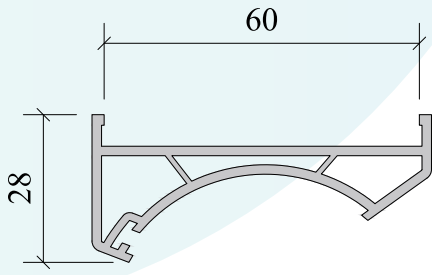
DECORATION BAR(SMALL)

ALB-A33
0.084kg/m
40pcs



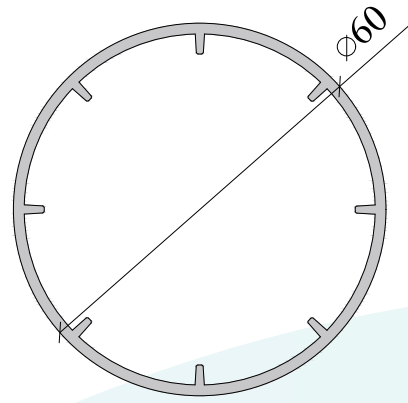
DECORATION BAR

ALB-A32
0.2kg/m
20pcs



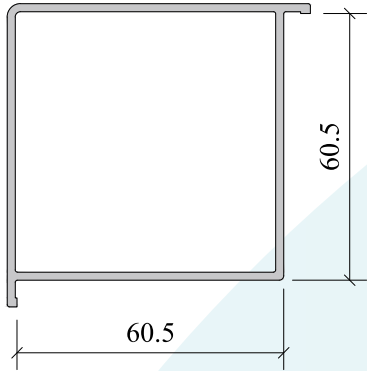
COUPLING

ALB-A19
0.64kg/m
4pcs



BASE COUPLING

ALB-A20
0.52kg/m
8pcs

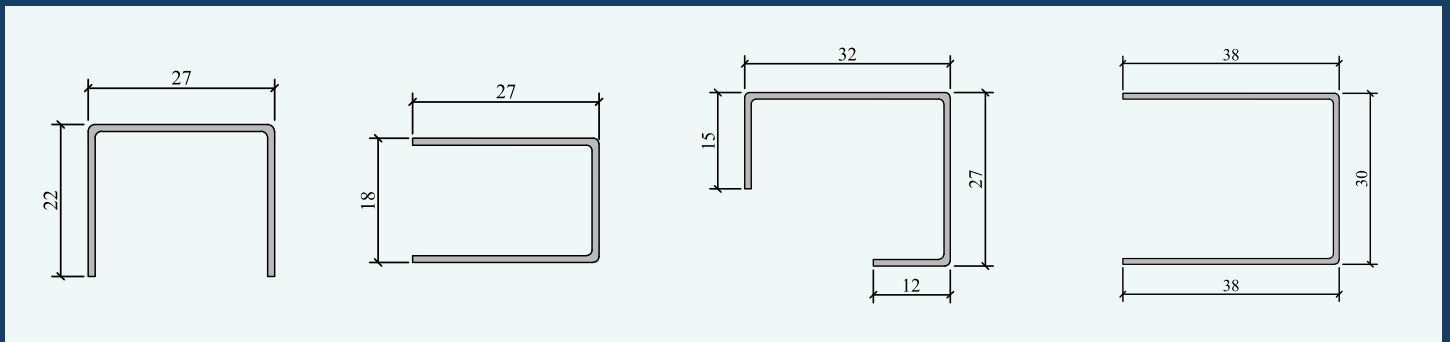


CORNER

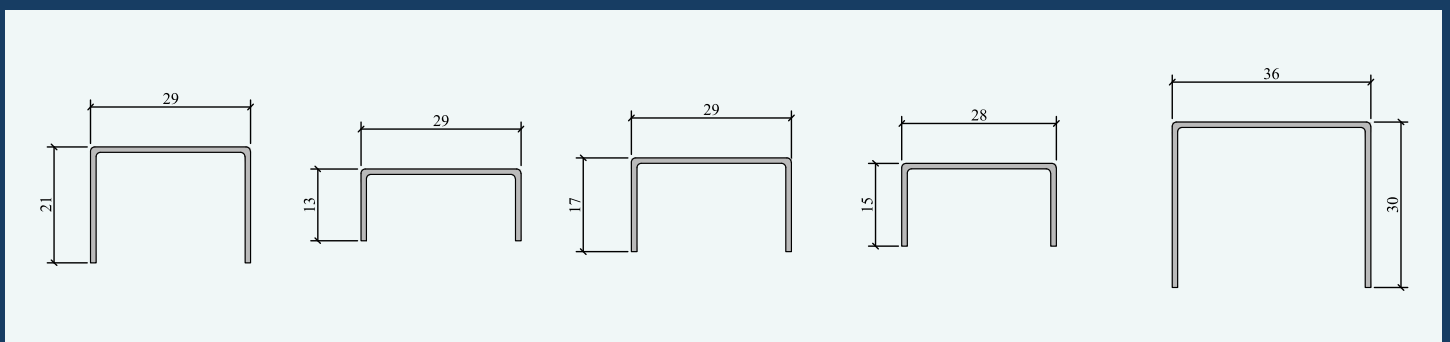
ALB-A21
0.72kg/m
4pcs

REINFORCEMENT DRAWINGS

CASEMENT SERIES



SLIDING SERIES





 **SAVE
TREES**





**STYLISH &
RELIABILITY**



AlBari Industries Private Limited

REGISTERED OFFICE :

462/1, Kovilvalli Road, Muthanampalayam,
Tiruppur. 641606. Tamilnadu. India.

FACTORY & ADMIN :

10/30, Kuppagounder Valasu (Village), Alambadi,
Nalroad, Kangayam (Taluk), Tiruppur (Dist)-638701. Tamilnadu.

+91 96777 80178 / +91 91500 14671 / +91 91500 14672

www.albari.in

technical@albari.in / admin@albari.in

